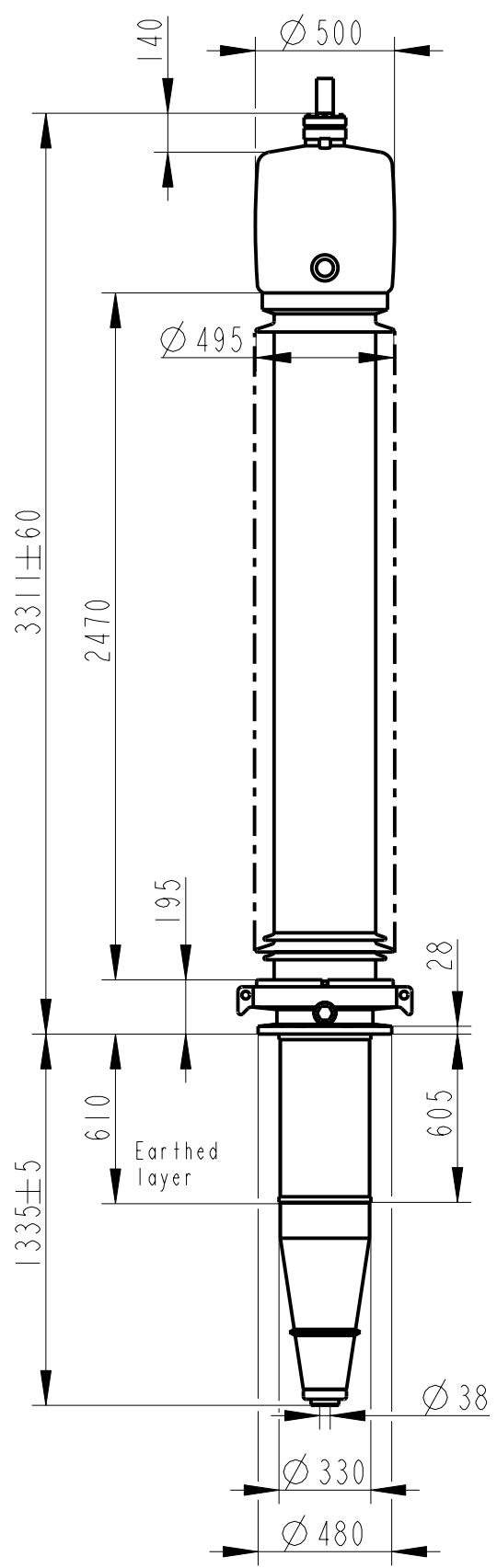


Rev	Ind	Revision	Appd	Date



Bushing Data:

Rated Voltage	362	kV
Phase to-earth Voltage	220	kV
Dry Lightning Impulse 1,2/50µs	1175	kV
Wet Switching Impulse	850	kV
Wet Power frequency AC	540	kV
Routine test Imin dry 50Hz	530	kV
Rated Current	5000	A
Creepage Distance	7955	mm
Mass	935	kg

Ordering Data:

BUSHING	COLOUR AIR INSULATOR
LF121061 -D / -AD	BROWN / LIGHT GREY
OUTER TERMINAL	
	H2 D2
	(mm) (mm)
LF170 073-A Al	125 60
LF170 073-B Cu	125 60
LF170 073-G Cu/Ag	125 60
OTHER TYPES ON REQUEST	

END-SHIELD

LF170 046-U EPOXY INSULATED
LF170 046-UP INSULATED WITH 3 mm PRESSBOARD

DRAW ROD SYSTEM

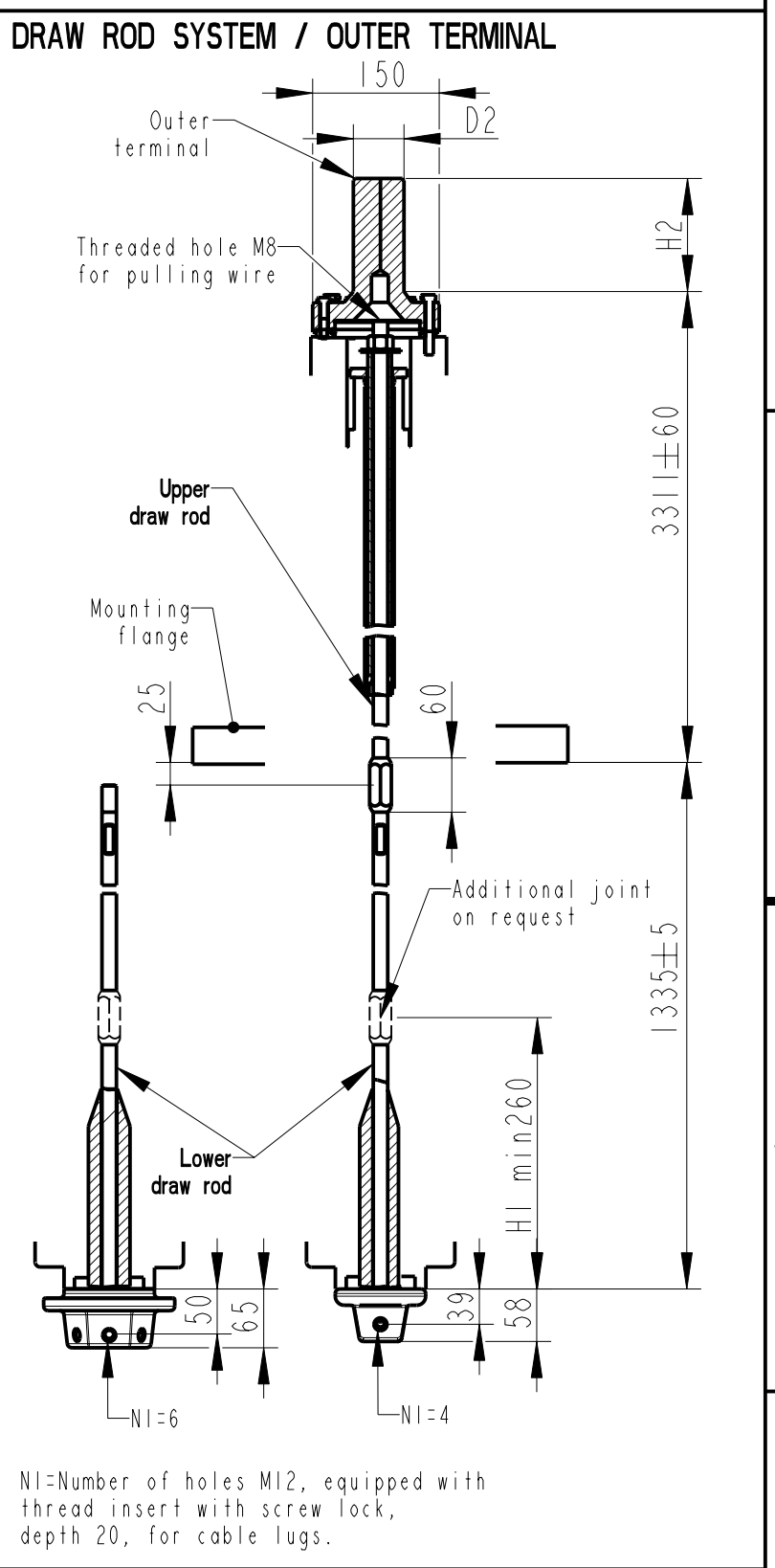
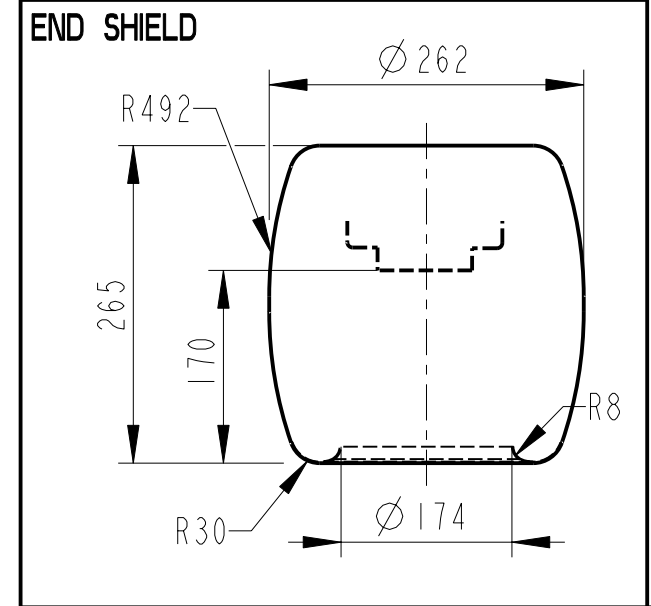
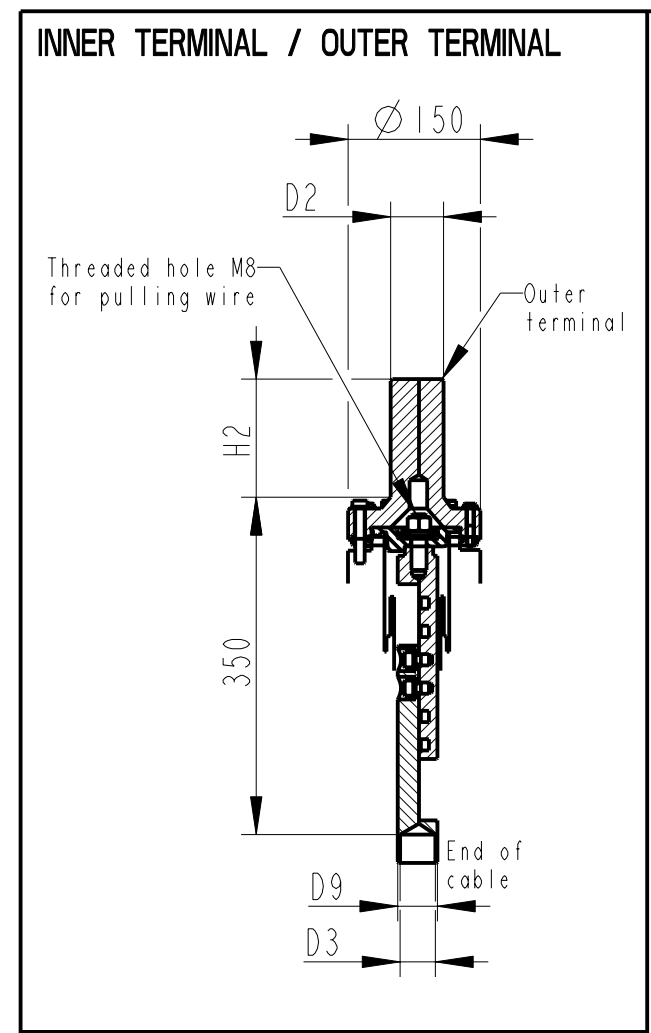
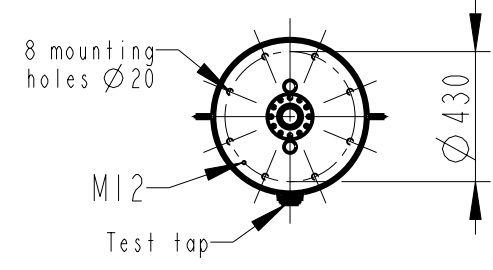
LF170 059 LOWER DRAW ROD WITH NI=4 OR NI=6
LF170 057 UPPER DRAW ROD

INNER TERMINAL

D3	D9	Cond. area	Current (A)
(mm)	(mm)	(mm ²)	IEC IEEE
LF170 056-A 0 *)	35	-	- -
LF170 056-B 15	35	95	390 370
LF170 056-C 30	35	285	1000 830

*) WITH PILOT HOLE D=5

ABB Components		Ludvika, Sweden	
U ₁₋₄	N ₁₋₄	A	50-60 Hz
U	kV SI	kV AC	kV
M	kg L	mm D	
C1	pF Tanδ		
C2	pF Tanδ		



NI=Number of holes M12, equipped with thread insert with screw lock, depth 20, for cable lugs.

Based on	Reg. No.	Title	GOE-1175-850-5000-0.6
Prepared Lövnord	Responsible department COM/BK 0022		
Approved Johansson	Take over department		Language 82
Design engineering review Gutman	Database		Page 1(1)
ABB ABB Components		Document No.	2751369-26

We reserve all rights in this document and in the information contained therein. Reproduction, use or disclosure to third parties without express authority is strictly forbidden. ©ABB